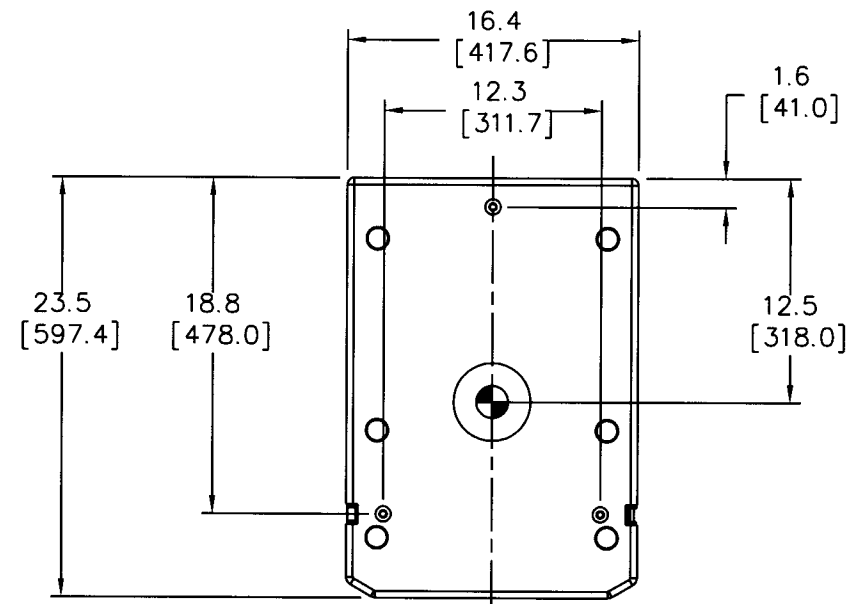


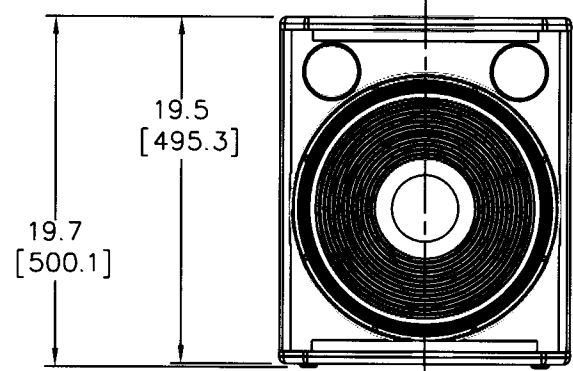
THESE DRAWINGS AND SPECIFICATIONS ARE THE PROPERTY OF JBL INCORPORATED. THEY ARE ISSUED IN STRICT CONFIDENCE AND SHALL NOT BE REPRODUCED OR USED AS THE BASIS FOR MANUFACTURE OR APPARATUS WITHOUT WRITTEN PERMISSION.

REVISIONS						
CHG	LTR	DESCRIPTION	DRFT	D.C	DATE	APPR
33451	A	RELEASE TO MARKETING	TH			

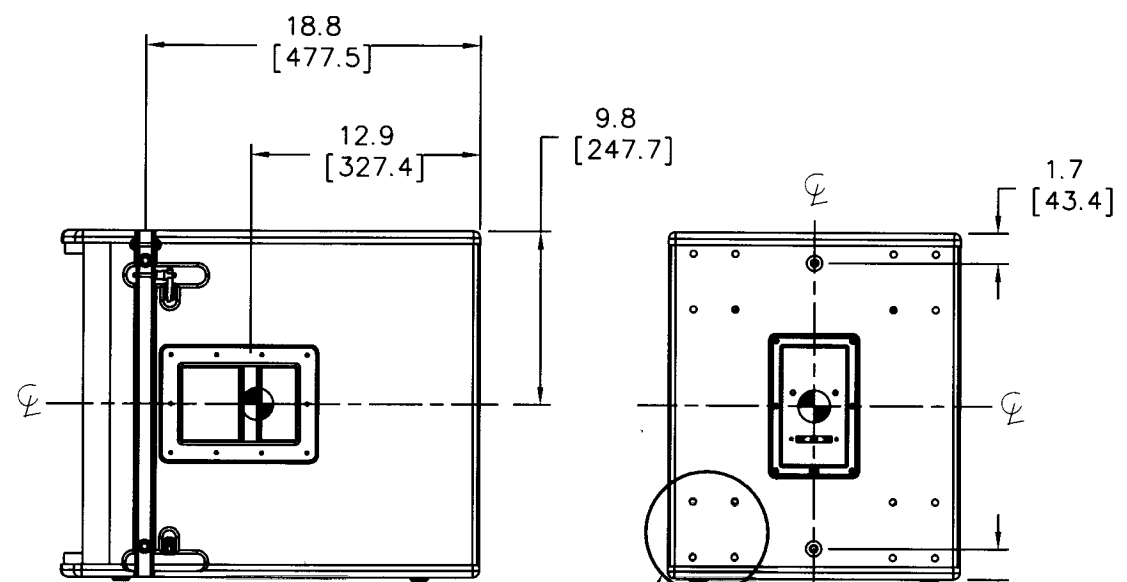
11/3/07
11/3/07



TOP



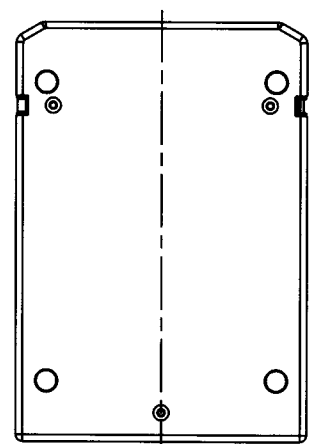
FRONT



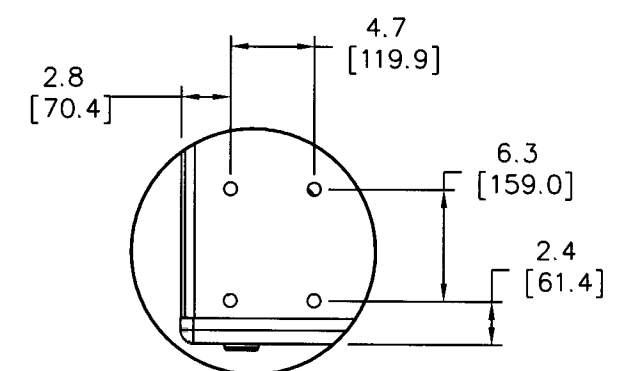
SIDES

REAR

SEE DETAIL "A"



BOTTOM



DETAIL "A"

1. COMPONENTS: LF - 1X 2265G.
2. INPUT CONNECTORS: NEUTRIK SPEAKON NL4 (X2). SWITCHABLE +1/-1 OR +2/-2
3. GRILL: 16 GA. PERFORATED CRS, POWDER COATED BLACK, WITH BLACK FOAM BACKING.
4. MATERIALS: 16MM (5/8") FINNISH BIRCH PLYWOOD.
5. FINISH: BLACK DURAFLEX (WHITE AVAILABLE BY CUSTOM ORDER)
6. SUSPENSION POINTS: M10 THREADED SUSPENSION POINT 3X TOP, 3X BOTTOM, 2X REAR.
7. POLE MOUNT: 20 mm THREADED POLE SOCKET.
8. WHITE (-WH) MODEL DOES NOT INCLUDE HANDLE OR POLE MOUNT.
9. RIGGING SYSTEM: INTEGRATED RIGGING HARDWARE TO CONNECT MULTIPLE VRX928 ENCLOSURES, VRX915S SUBWOOFERS AND ACCESSORY ARRAY FRAME.
10. WEIGHT: 26.3 Kg (58 LBS).
11. CENTER OF GRAVITY (CG)
12. ACCESSORY CASTER KIT AVAILABLE.

NOTES: (UNLESS OTHERWISE SPECIFIED)

TOLERANCES
(UNLESS OTHERWISE SPECIFIED)

X.XX ± .063 INCH
X.X ± .125 INCH

ANGULAR TOLERANCE OF 0°±30'

FRACTIONAL DIMENSIONS ± 1/32

- DIMENSIONS ARE INCHES
- ALL DIMENSIONS ARE FINISHED DIMENSIONS
- DO NOT SCALE DRAWING

JBL PROFESSIONAL A Harman International Company Northridge, California 91329 U.S.A.		
TITLE CUSTOMER DRAWING: VRX915S		
SIZE A	DRAWING NO. 364042	REV A
SCALE NTS	SHEET 1 OF 1	

4

3

2

1